



2025

Our mission:

**WE CREATE EXCEPTIONAL DOORS THAT COMBINE
COMFORT, AESTHETICS, AND DURABILITY – FOR THE
HARMONY OF YOUR HOME.**

TABLE of contents

About us



3-4

INVISIBLE

Hidden
frame
doors

5-10



SOLID

Premium
flush
doors

11-16



FREZATO

Painted
neoclassical
doors

17-24



**CARDIUM
PORTA**

Painted
classical
doors

25-28



URBAN

Veneered
flush
doors

29-32



**URBAN
MARQUETRY**

Veneered
flush
doors

33-36



CARO

Premium
veneered
doors

37-42



CLASSIC

Economy-line
classical
veneered
doors

43-46



MODERN

Modular
veneered
doors

47-48



LITE

Economy-line
flush
doors

49-54



**NEO-CLASSICO
NEO-SOFT**

Modular
doors in
solid colors

55-60



SYNCHRO

Modular
doors in a
premium
finish

61-64



**ELIT PLUS
ELIT SOFT**

Modular
doors with
integrated
mirrors

65-68



**UKRAINIAN
DOORS**

Economy-line
modular doors
with artificial
surface

69-79



NANOFLEX

Modular
doors with
artificial
surface

80-84



**TECHNICAL
information
section**

85-90



TERMINUS™

виробник дерев'яних дверей



ABOUT US

«TERMINUS» is a full-cycle Ukrainian enterprise established in 2005. In a short period of time, the company became a leader in the Ukrainian market for interior wooden door manufacturing. The production facility is equipped with modern machinery from Germany and Italy. The door manufacturing process incorporates advanced technologies, high-quality timber, premium natural wood veneer, and eco-friendly lacquers from reputable global brands.

We carefully select all materials in strict compliance with international environmental standards — backed by official certifications. By combining advanced manufacturing technologies with eco-friendly components, we maintain a leading position in the Ukrainian market and confidently compete with manufacturers across Eastern and Western Europe.

Driven by steady growth in Ukraine, we keep raising the bar and setting clear, ambitious goals.

At TERMINUS, progress never pauses – our team consists of energetic, capable and self-assured professionals.



More than just a stylish and high-quality interior element, TERMINUS doors bring lasting comfort to your home. They are designed not only to enhance your space visually, but also to deliver outstanding performance thanks to:

- Top-grade natural wood;
- Superior sound insulation;
- Durability in various climate conditions.

The company's product range spans almost all price segments, structural formats, and design styles in the interior door market – meeting the needs of even the most demanding customers.

One of our key advantages is the ability to produce a variety of non-standard items upon request – including custom dimensions and bespoke designs developed from customer drawings.



Hidden frame doors

INVISIBLE OUTSIDE

«INVISIBLE OUTSIDE» Hidden frame doors

This type of interior door stands out by using an aluminum frame system and no visible casing (architraves). The aluminum frame is installed directly into the wall opening before any wall finishing begins. Once the renovation is complete, the door panel is mounted, ensuring a seamless look.

Because many customers prefer doors that match the wall color, the most popular option is factory-primed doors. This allows the door to be painted along with the walls for a uniform appearance.

Additionally, these doors can be finished with decorative plasters or wallpaper, making them an ideal choice for modern, minimalist interiors.

Opening scheme for hidden frame doors

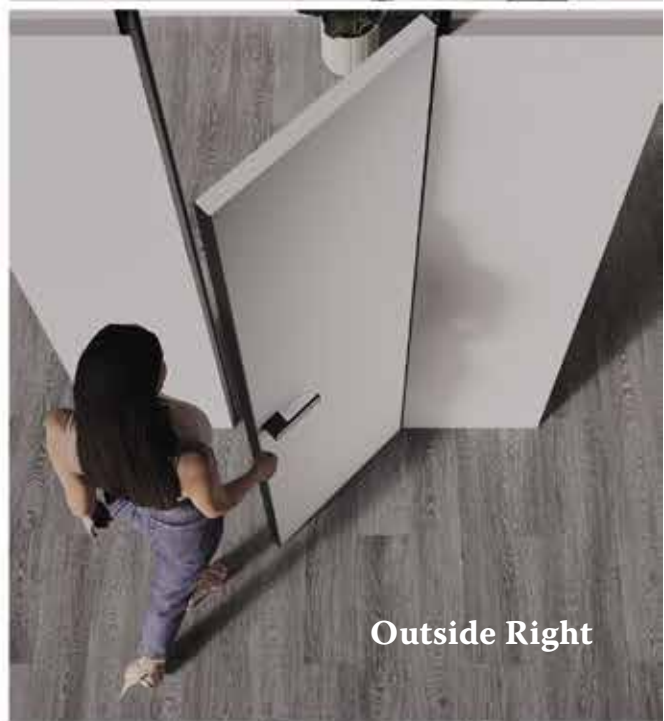
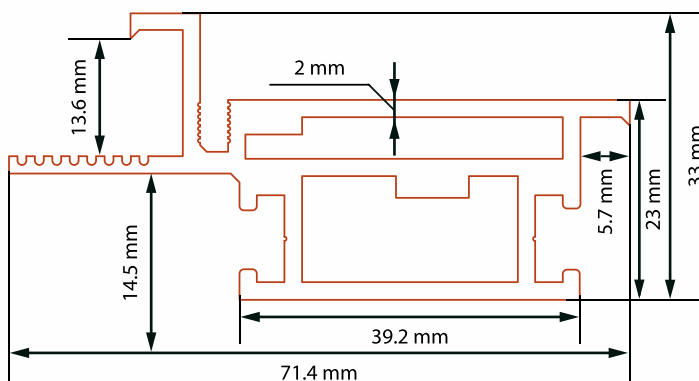
Two opening schemes are available:

- External (open inward);
- Internal (open outward).

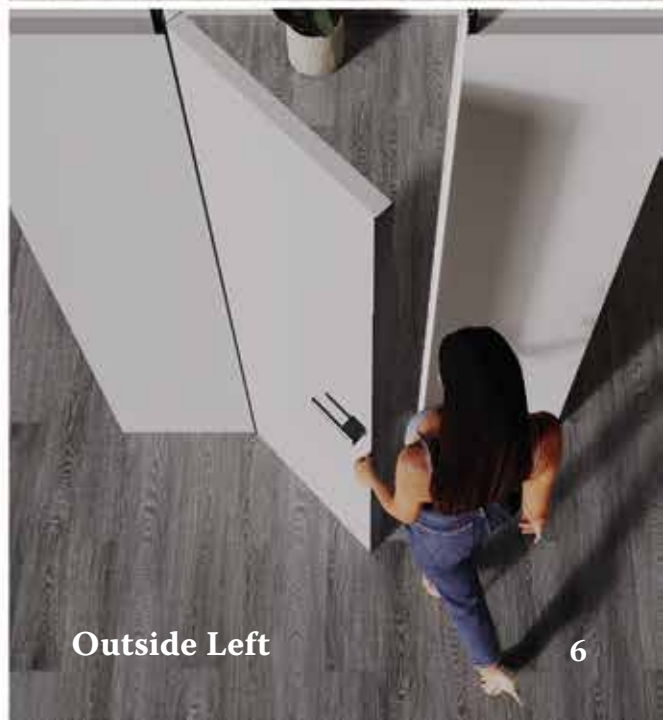
The first variant is also known as OUTSIDE, while the second is known as INSIDE.

Inward-opening doors open up to 180 degrees, while outward-opening doors open only up to 90 degrees.

OUTSIDE door frame



Outside Right



Outside Left



Hidden frame doors

INVISIBLE INSIDE

Aluminum door frame

Made from T66-grade aluminum, these frames feature a reinforced structure for enhanced strength and durability. They are available in two high-quality anodized finishes:

- Grey anodized (15 microns)
- Black anodized (21 microns)

The profile design is a proprietary development by TERMINUS, engineered with close attention to the real needs of our clients.

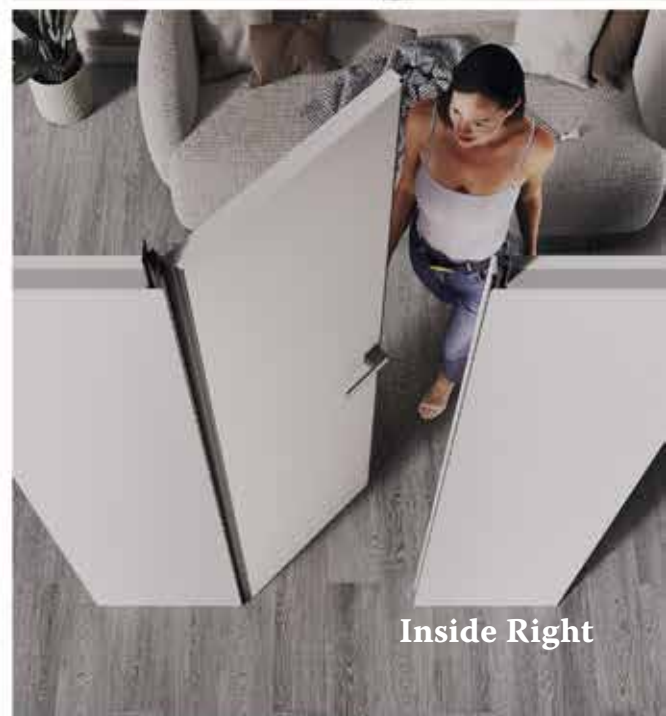
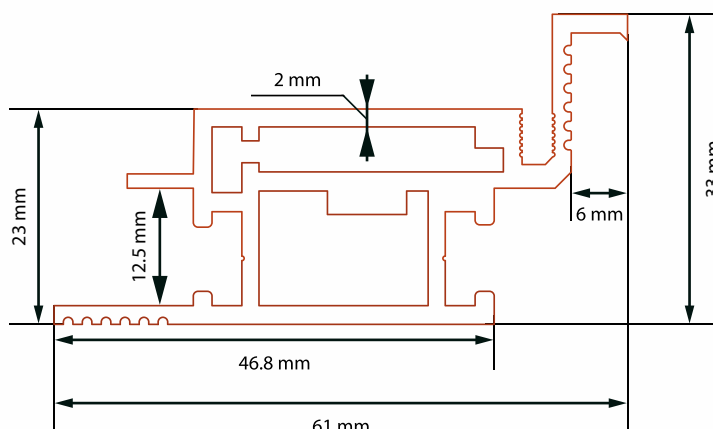
These aluminum door frames are fully compatible with all TERMINUS door collections featuring 44–45 mm thick door panels.

Unlike hybrid systems (wood + aluminum), monolithic aluminum frames are chosen by customers who value premium quality, long-term performance, and minimal maintenance.

Key advantages of TERMINUS aluminum frames:

- Designed for 44–45 mm door panels;
- Compatible with both primed panels, as well as painted doors from the FREZZATO collection and premium doors from the SOLID collection;
- Engineered for hidden hinges by the renowned Italian brand OTLAV, ensuring long-lasting performance even under heavy, frequent use.

INSIDE door frame



Inside Right



Inside Left

for on-site
painting



for on-site
wallpapering



for decorative
plaster finish



Door hardware sets

TERMINUS hidden door units come complete with premium hardware, ensuring fast, precise installation and providing a solid guarantee of long-term, trouble-free operation.

Each TERMINUS hidden door set comes with a complete hardware kit, which includes:

- Concealed hinges by OTLAV (Italy)
- Magnetic lock mechanism by AGB (Italy)
- All necessary installation components:

rubber gasket; frame connectors; fixing hardware for hinges and lock; universal anchor plates for additional fastening of the aluminum frame to the wall opening

This complete set ensures reliable assembly, easy installation, and long-lasting performance of the door system.

Hinges

All door units are equipped with premium hidden hinges by OTLAV (Italy), designed to support up to 60 kg when using two hinges.

However, for certain door models featuring large glass inserts, the use of three hinges is recommended. This ensures enhanced stability and guarantees the long-term durability of the entire structure.

Lock mechanism

The door units are equipped with a magnetic lock mechanism from AGB, a leading Italian manufacturer.

This mechanism has been proven over time, with more than 15 years of widespread use by door manufacturers in Ukraine and abroad, earning a reputation for reliability and smooth operation.

Door frame seal

The door units are equipped with a high-quality sealing gasket from SCHLEGEL, a renowned German manufacturer.

It provides excellent sound insulation and ensures the soft and silent operation of the door.

One of its key advantages is the long-term stability of color and shape, even after years of use.





Crafted to be unique

SOLID

812 Invisible Inside Black glass

The SOLID collection features 12 models of flush doors, finished with an eco-friendly polypropylene surface. The coating has a thickness ranging from 170 to 200 microns, ensuring durability, scratch resistance, and easy maintenance.

The collection offers a selection of 13 decorative finishes, including 9 matte solid colors. Among them, 5 finishes feature a premium “soft-touch” lacquer coating, which provides a velvety texture and a refined, low-gloss appearance (gloss level below 3%). This finish not only enhances the visual appeal of the door but also creates a pleasant tactile experience.

The SOLID collection includes 4 wood-effect finishes with a deep, pronounced texture. Thanks to the highly detailed surface embossing, these finishes closely replicate the look and feel of natural wood veneer or solid timber, making the difference almost indistinguishable to the eye and touch.

Model #801 can be finished with natural Oak veneer or American Walnut veneer. This door model is designed exclusively for installation with a concealed (invisible) door frame, ensuring a sleek, modern look with no casing.

All door panels in the SOLID collection are equipped with a four-sided aluminum edge profile for enhanced durability and a refined look. Available finishes: Silver Anodized or Black Anodized aluminum.

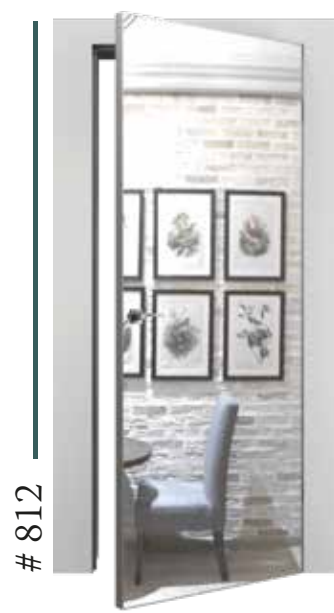


Collection range



Available decors





Types of glass



White Planilac



Black Planilac



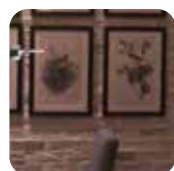
Cream Planilac



Silver mirror



Graphite mirror



Bronze mirror

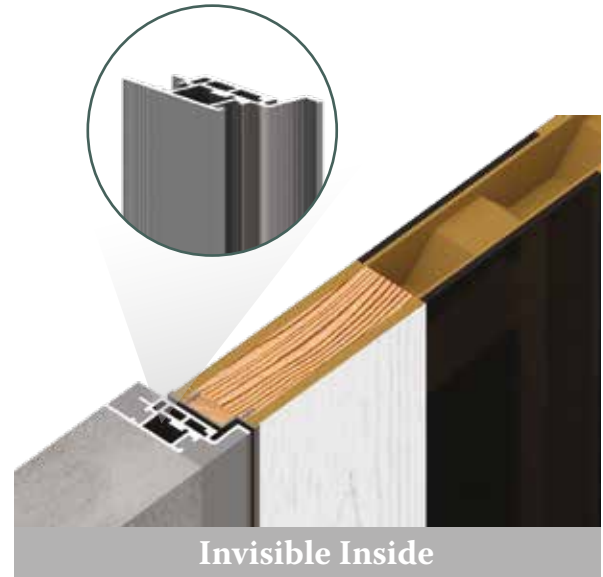


805 Sahara



803 Onyx

Collection mouldings





Crafted to be unique

FREZZATO

707.2 Grey enamel

«FREZZATO» collection

Painted doors feature multi-level classical contour milling, making them ideal for neo-classical and Nordic-style interiors.

The use of coplanar casings and hidden hinges also allows these doors to blend seamlessly into more minimalist or LOFT-style spaces, adding a refined yet understated elegance.

Doors in the “FREZZATO” collection are flush panel doors with a reinforced frame construction.

The core frame is made of softwood timber, kiln-dried to a precise moisture content of 8.2%, ensuring exceptional structural stability even under long-term and intensive use.

On both sides of the frame, the door leaf is finished with painted MDF panels — either 6 mm or 8 mm thick, depending on the complexity of the milling pattern.

These doors are compatible with various frame solutions:

- Telescopic trim systems;
- Coplanar casings (flush with the door leaf);
- Inside frame systems (for inward opening).

Additionally, they can be installed on concealed aluminum frames — both Inside and Outside opening types — for a sleek, minimalist look.

Available decors



White enamel



Grey enamel



Cream enamel



Collection range



Milling patterns



For models
29; 714; 723-727



For models
709.1-709.3



For models
705.1-705.4



For models
707.1-707.5



For models
706.1-706.4

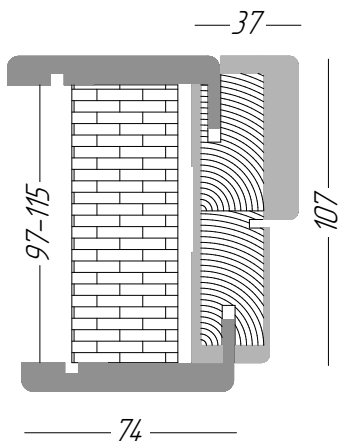


For models
708; 715; 716

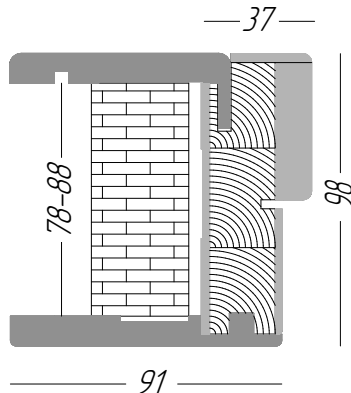
Collection range



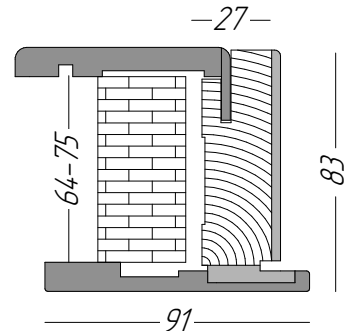
Collection mouldings



«BRANDU» telescopic frame with flat casing



Coplanar «URBAN 44»



INSIDE 44



709.3 Cream enamel



721 and 722 White enamel

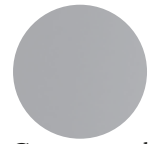
Collection range



Available decors



White enamel



Grey enamel



Cream enamel

Types of glass



Black Planilac



Collection range



Moulding options



Black anodized Grey anodized

Types of glass



Black Planilac



723 Cream enamel



727 Grey enamel





Crafted to be unique

CARDIUM PORTA

BRANDU 02 White enamel

«CARDIUM PORTE» collection

This elegant collection blends the timeless charm of French Provence with reliable Ukrainian craftsmanship, delivering a true sense of perfection and completeness. The door leaf thickness, compliant with European standards, ensures enhanced durability and superior sound insulation. A unique decorative baguette frame highlights design details, while the refined color palette complements the flawless interior of your home.

Collection range



CARDIUM PORTA

Crafted to be unique

Collection range





Available decors



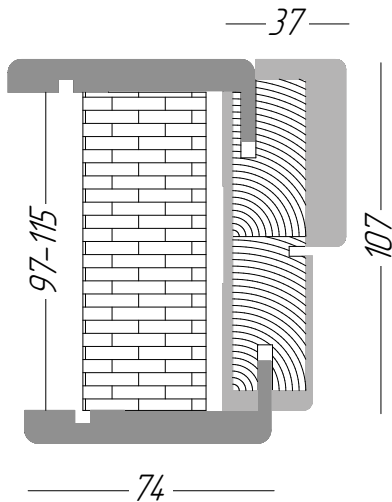
White enamel Grey enamel Cream enamel

Types of glass

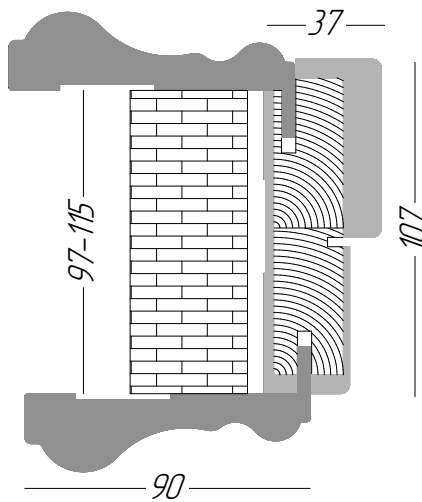


21

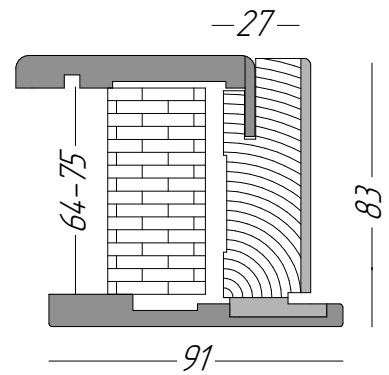
Collection mouldings



«BRANDU» telescopic frame with flat casing



«BRANDU» telescopic frame with «BRANDU» casing



INSIDE 44



Crafted to be unique

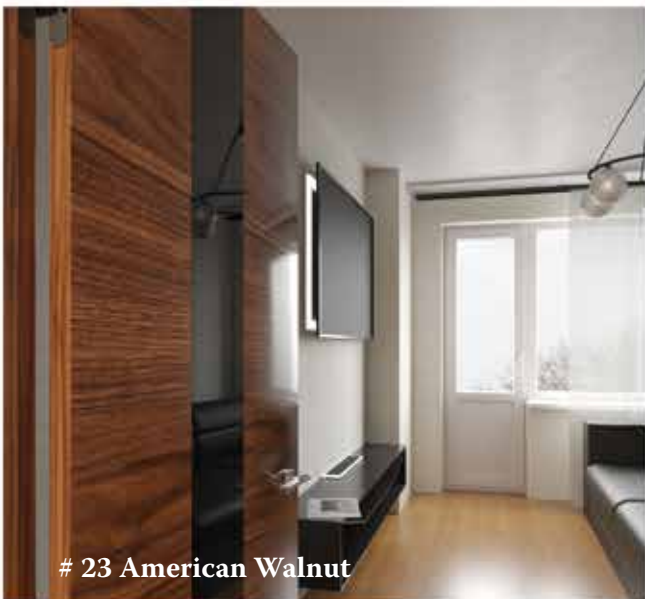
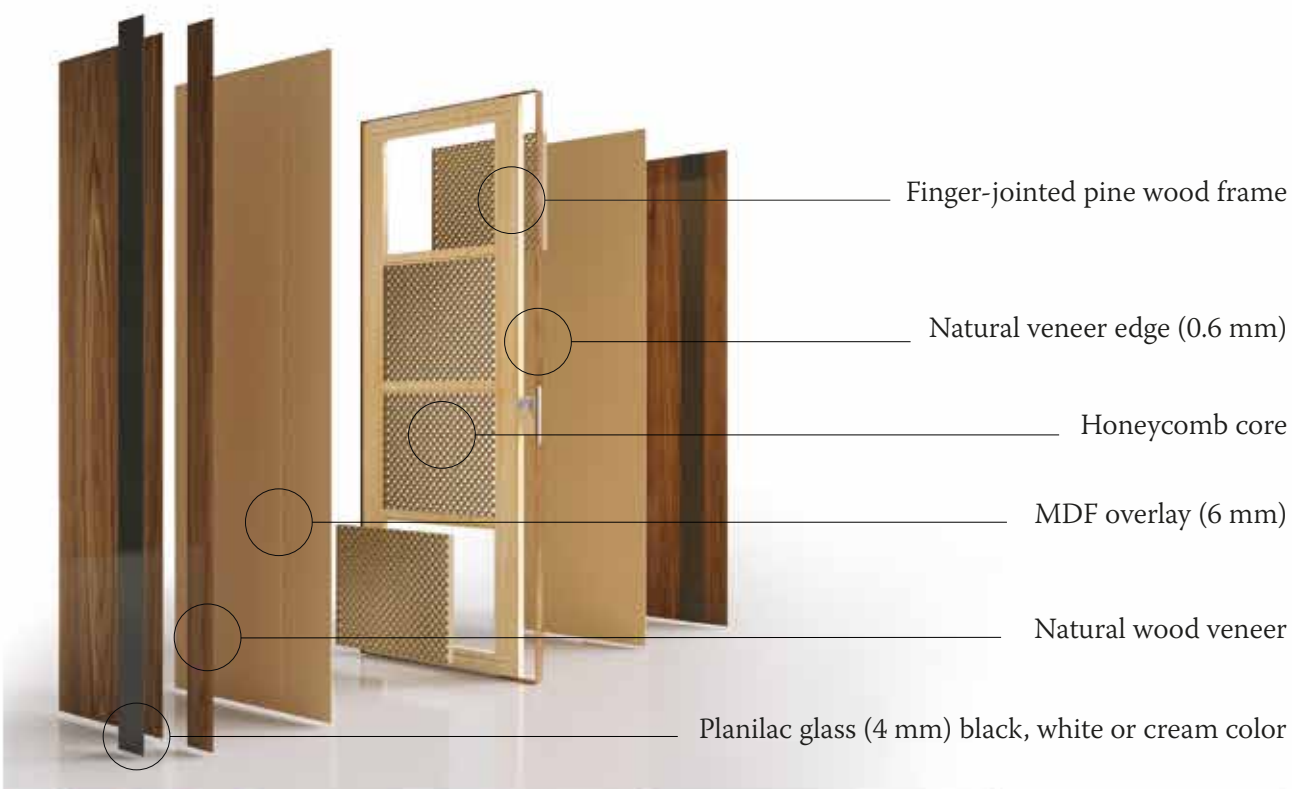
URBAN

21 Light Oak

«URBAN» collection

These doors are perfect for those who appreciate the beauty of natural materials.

Using real wood veneer allows each door to showcase a unique grain pattern, creating a stylish and authentic look that brings nature's elegance into your interior.



Collection range



Available decors



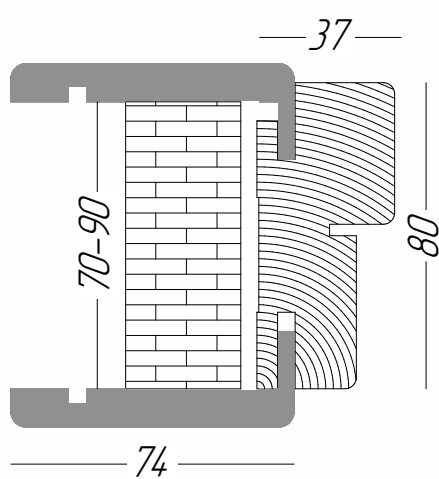
Types of glass



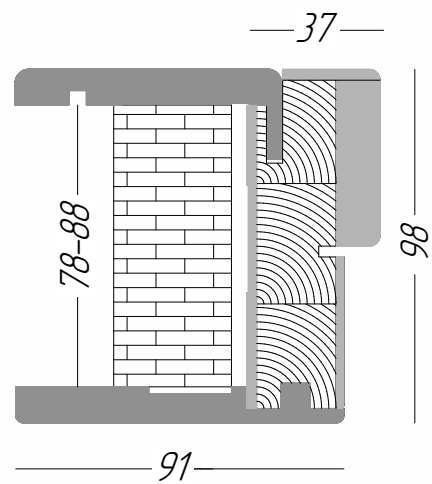


26 Oak Brown

Collection mouldings



Telescopic



Coplanar «URBAN»

M-5 Light Oak

Crafted to be unique

URBAN MARQUETRY

«URBAN MARQUETRY» collection

This refined door line is crafted using a unique inlay technique, where veneer strips with different grain directions and angles are combined. The result is a striking visual effect that adds depth, character, and a touch of sophistication to any interior.

Decorative groove patterns and integrated aluminum moldings enhance the artistic look of each door, turning it into a true design statement and a centerpiece of the room.



URBAN MARQUETRY

Crafted to be unique

Collection range



Available decors



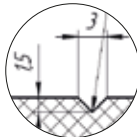
Light Oak

Types of moldings



Black anodized 10x2 mm

Milling



3x1,5 mm

Veneer angle

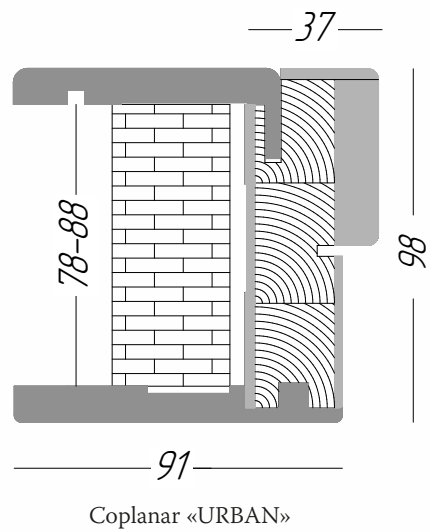
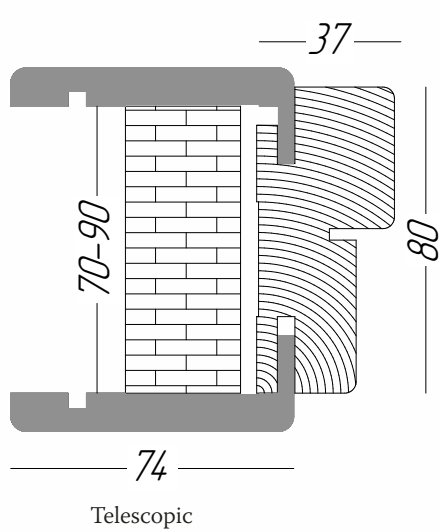


45°



M-3 Light Oak

Moulding options





Crafted to be unique

CARO

41 PO Oak Brown (Glass # 5)

«CARO» collection

This is a premium door collection from TERMINUS, featuring 5 exclusive models available in 5 natural wood finishes. Each model showcases the timeless beauty of real wood veneer combined with exquisite craftsmanship, offering an elegant and distinctive solution for high-end interiors.

The timeless classic design of the CARO series, combined with natural wood veneer, makes it a perfect choice for elegant, traditional interiors. At the same time, its affordable price makes it an ideal alternative to solid wood doors, offering both style and value without compromise.

The CARO series doors feature a classic frame-and-panel construction. The frame is made from finger-jointed softwood beams dried to 8.2% moisture content, ensuring a stable structure that resists everyday temperature and humidity fluctuations in residential and office spaces.

For raised panels, MDF covered with natural oak or ash veneer is used. The panels are securely attached to the door frame using a decorative baguette frame made from solid oak or veneered MDF.

The CARO door collection features natural oak veneer as a decorative material, available in the following stained shades: Diamond and Brown. Ash veneer is also used, finished with white or cream-colored enamel, creating a painted surface that retains the natural wood texture. For a premium finish, natural American Walnut veneer is coated with a matte lacquer, highlighting the exquisite beauty of this noble wood.



Collection range



Available decors



American Walnut

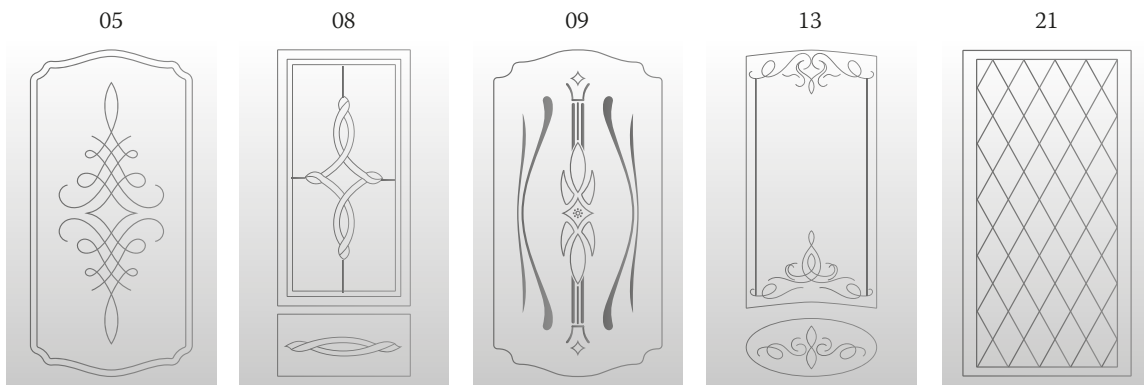
Diamond Oak

Oak Brown

Ash White

Ash Cream

Types of glass





50 (03) and # 50 (01) Ash White



52 PG Diamond Oak



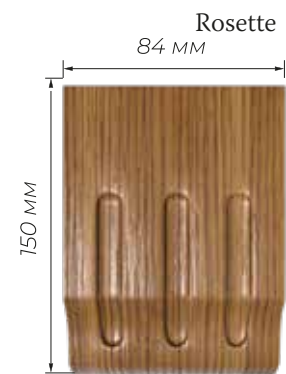
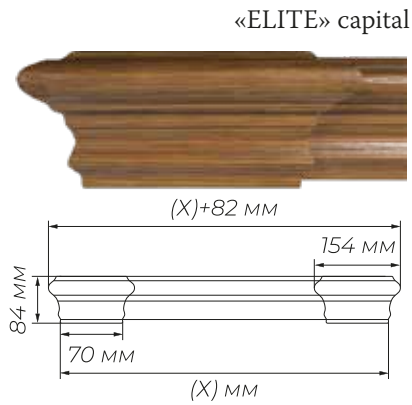
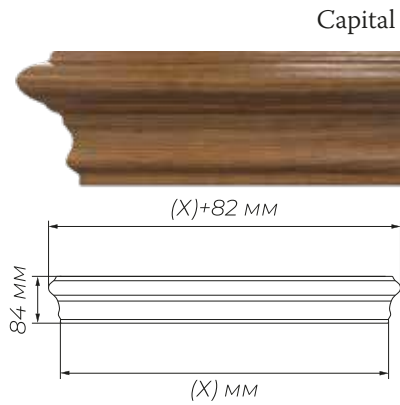
53 (01) and # 53 (03) American Walnut



55 (03) and # 55 (01) Ash Cream

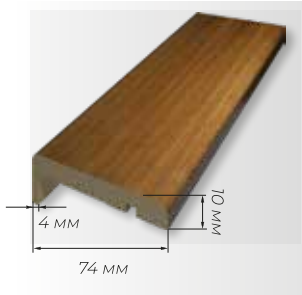
Moulding options

Capital

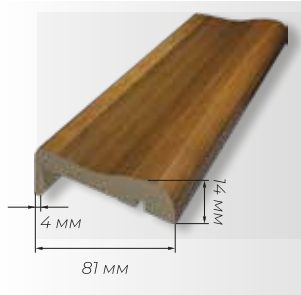


Casing

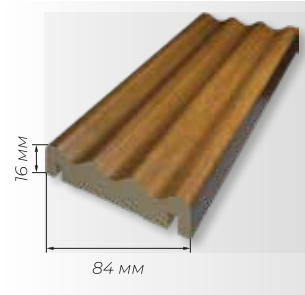
Telescopic casing



«Wave» casing



Fluted casing



Extension boards

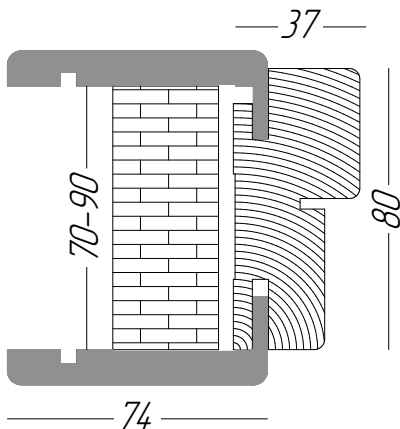
Telescopic extension board



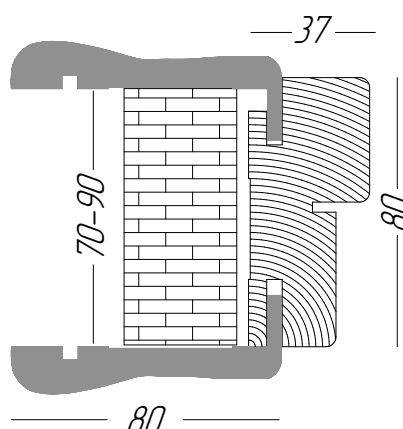
Telescopic (grooves on both sides)



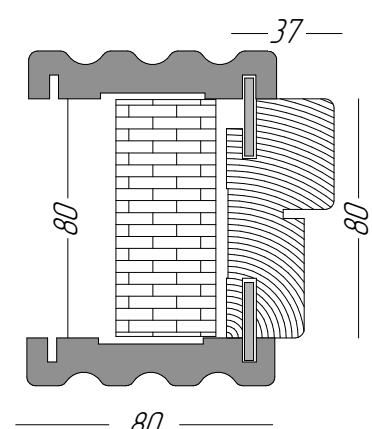
Extension board with a rabbet



Telescopic frame with flat casing

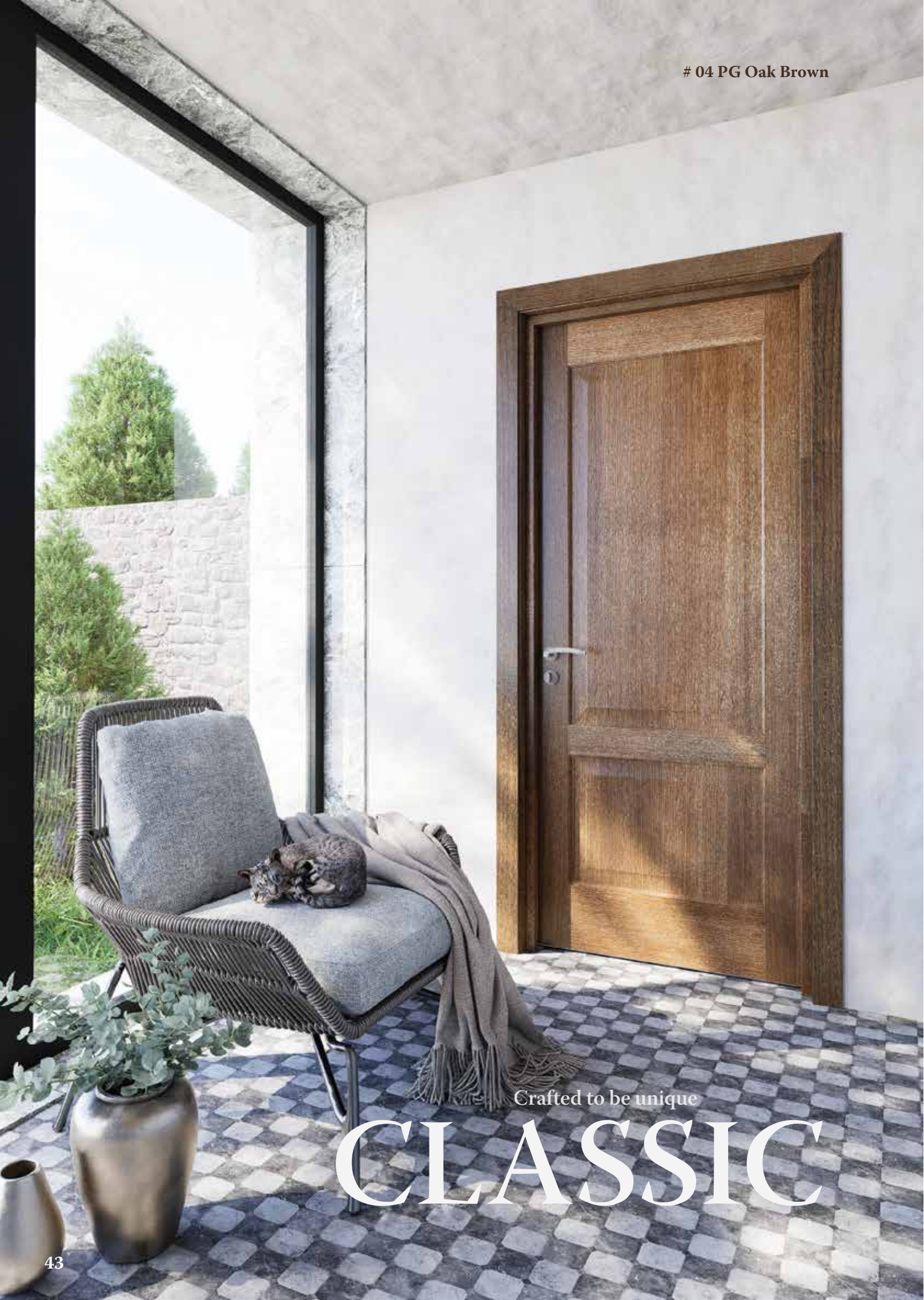


Telescopic frame with «Wave» casing



Telescopic frame with Fluted casing

04 PG Oak Brown



Crafted to be unique

CLASSIC

«CLASSIC» collection

The doors in this collection represent the most in-demand classic models—timeless designs that have stood the test of time.

Over the past 20 years, TERMINUS has successfully produced more than 500,000 door sets from this collection, confirming their enduring popularity and reliability.

CLASSIC is a veneered interior door collection that combines elegant design with affordability. Crafted from high-quality natural oak veneer, these doors offer a refined and authentic look that brings warmth and comfort to any interior.

Their versatile style and wide range of finishes make them suitable for various design concepts, while the attractive pricing makes this collection a perfect choice for those who value both quality and timeless aesthetics.

Structurally, doors in the CLASSIC series are frame (stile-and-rail) constructions with decorative raised panels.

This design offers several key advantages:

- high strength and structural reliability;
- cost-effective solution without compromising on quality;
- fast and efficient production lead times.



Collection range



Available decors



Light Oak



Oak Brown

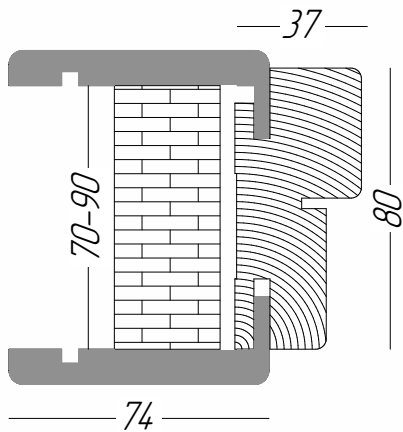


Dark Oak

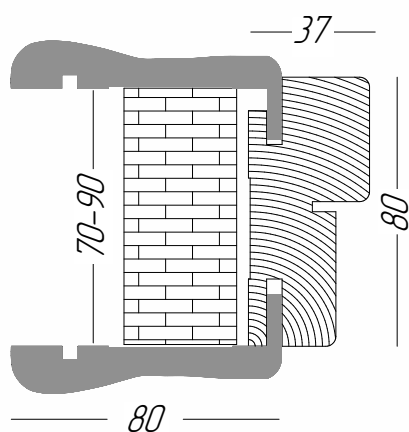


03 PG Light Oak

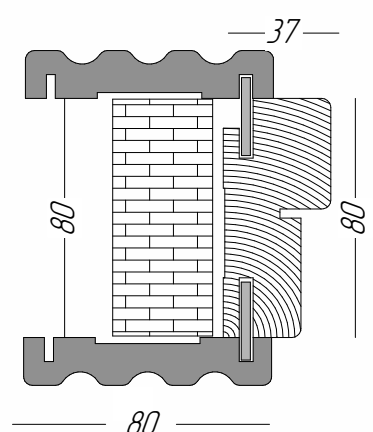
Moulding options



Telescopic frame with flat casing



Telescopic frame with «Wave» casing



Telescopic frame with Fluted casing



Crafted to be unique

MODERN

AERO-1 Light Oak

«MODERN» collection

Assembled doors finished with natural wood veneer.

A unique feature of this collection is a door model with a floating panel effect, where the decorative panel is mounted directly onto the glass. This design not only adds a sense of visual lightness but also allows natural light to pass through, maintaining a feeling of openness while enhancing the sophistication of the interior.

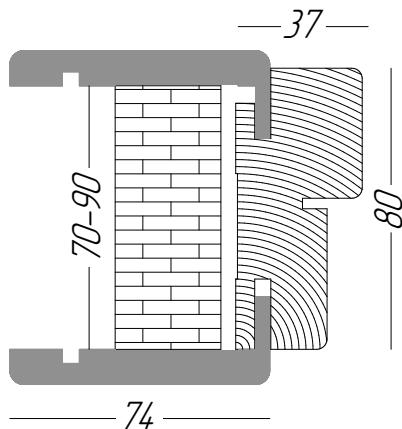
Collection range



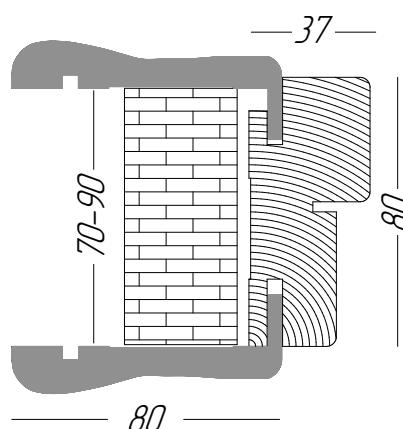
Available decors



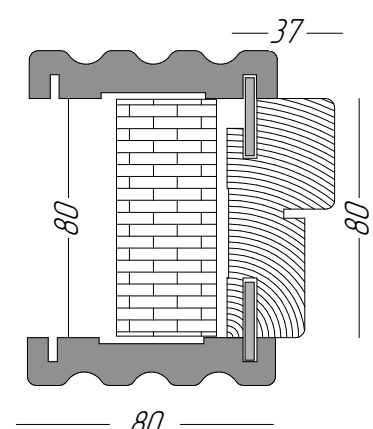
Moulding options



Telescopic frame with flat casing



Telescopic frame with «Wave» casing



Telescopic frame with Fluted casing



PK-17 Grey (Black molding)

Crafted to be unique

LITE

«LITE» collection

These interior doors are designed for those who appreciate minimalism and harmony in their living space.

Perfectly suited for modern interiors, where every detail matters, their light and airy design creates an atmosphere of comfort and tranquility.

The doors are available in various designs — with black glass inserts or aluminum moldings, offering versatile options to suit different tastes and preferences. One of the key advantages of this collection is the high quality at an affordable price. Fans of clean lines and modern aesthetics will find doors that seamlessly complement any interior, adding a unique charm and stylish touch to the space.

The collection features 17 unique models, each available in 19 different finishes to match any interior style. Every door is edged with 0.8 mm matte black ABS, manufactured in Germany, ensuring durability and refined appearance. As a decorative accent, the doors include a 10×2 mm anodized aluminum molding, available in gray or black, adding a modern and stylish touch to the design.



Collection range



Available decors





PK-05 Grey



PK-06 and PK -03 Anthracite

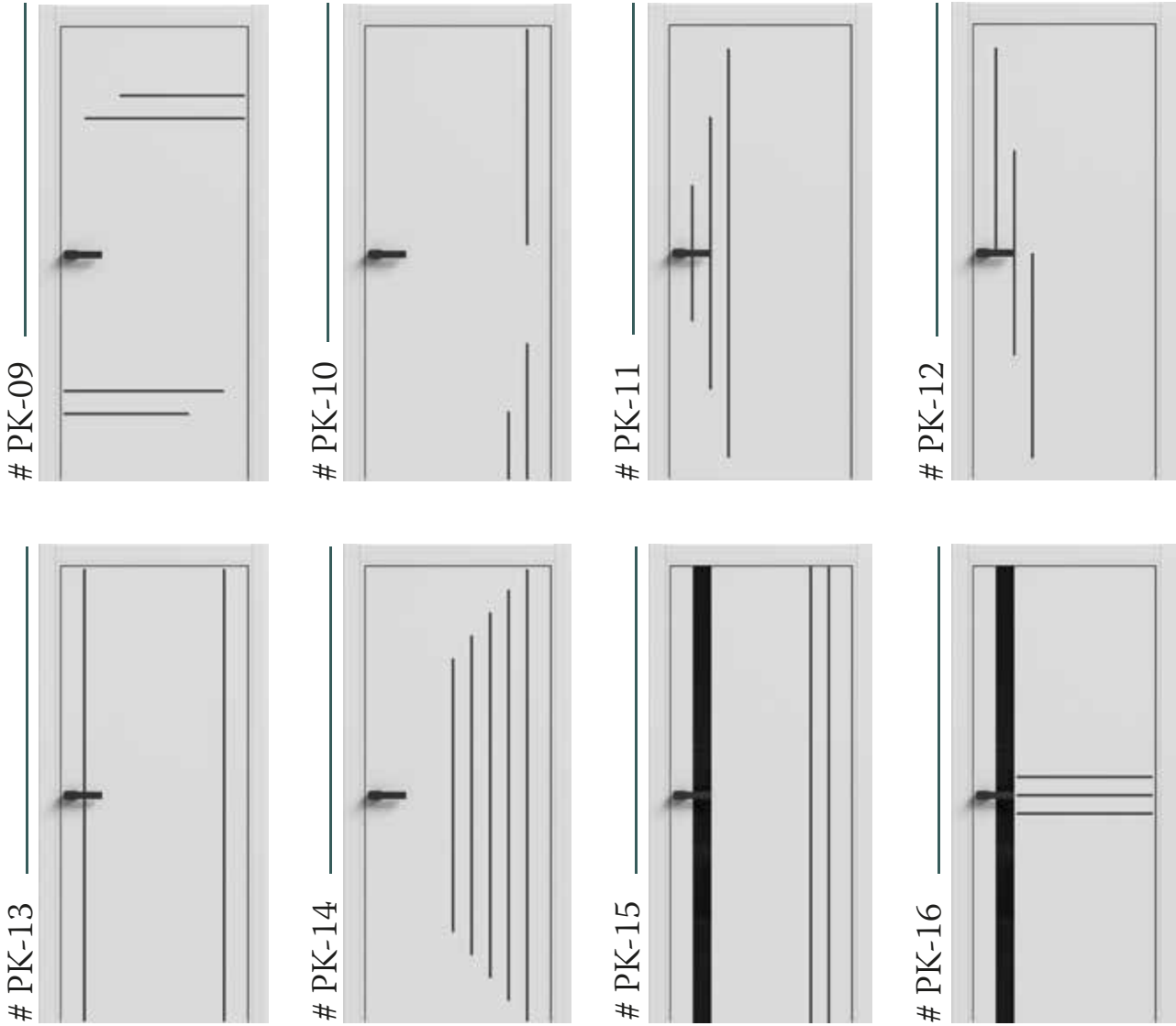


PK-10 Magnolia

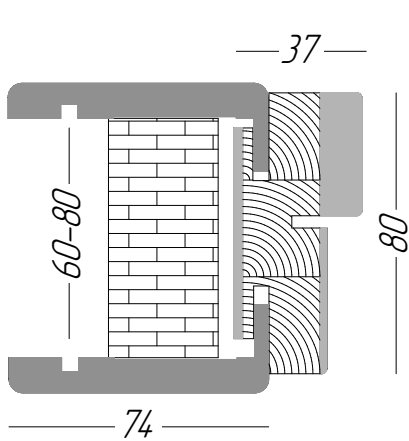


PK-15 and PK-16 Caramel

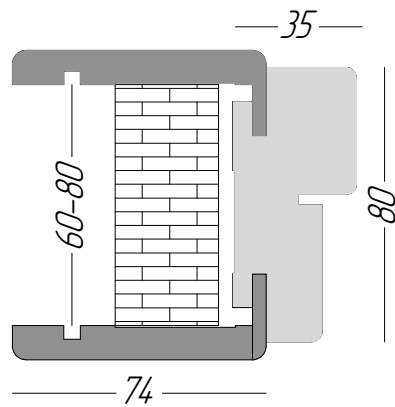
Collection range



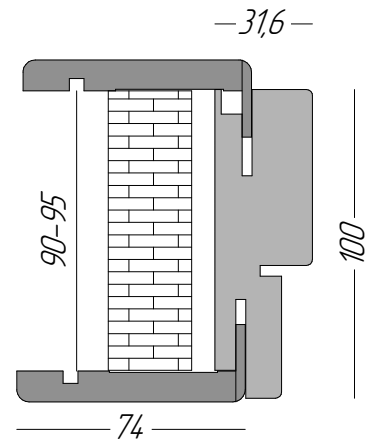
Moulding options



Telescopic composite door frame
(80x37x2100)



MDF door frame
(80x35x2100)



MDF door frame
(100x32x2100)



Crafted to be unique

NEO-SOFT NEO-CLASSICO

406 PG Sapphire and # 406 PO Sapphire

«NEO-CLASSICO» and «NEO-SOFT» collections

is a modern take on the design of a classic interior door. Timeless geometric forms, paired with a trendy color palette, open up a wide range of interior design possibilities. As a decorative finish, the collection features solid-color polypropylene foil by RENOLIT (Germany) — a material that is completely safe and environmentally friendly, certified with a formaldehyde emission class “E0”, also known in Europe as the “Blue Angel” standard.

The distinctive charm of this collection lies in its elegant raised panels, adding depth and sophistication to each design.

Most models are also available with decorative stained glass, offering a refined and airy look.

Straight structural muntins on glazed models not only emphasize the neo-classical aesthetic, but also act as stabilizers, ensuring the long-term durability and geometry of the door leaf — even under intensive daily use.



NEO-SOFT NEO-CLASSICO

Crafted to be unique

Collection range



Available decors



White matt



Grey



Magnolia



Anthracite



Olivin



Aquamarine



Sapphire



Malachite



Onyx



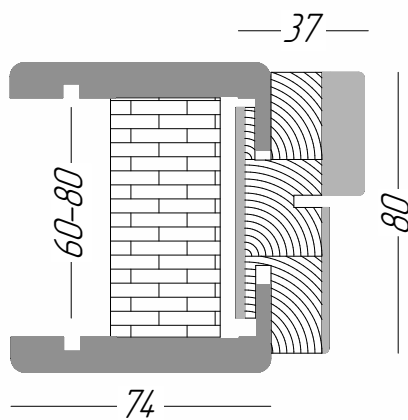
NEO-SOFT NEO-CLASSICO

Crafted to be unique

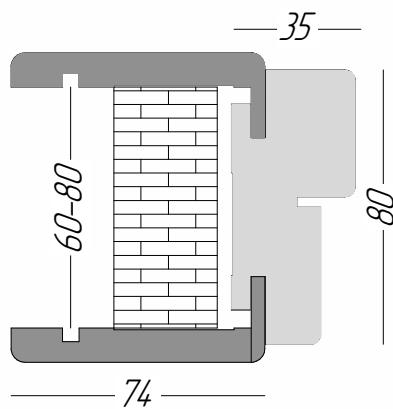


603 White matt

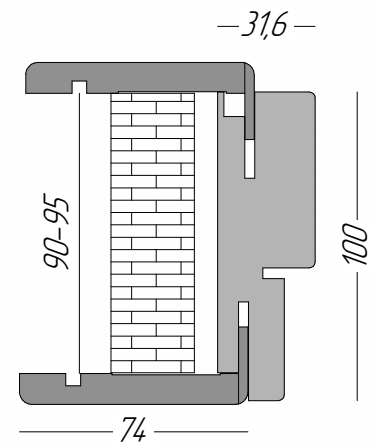
Moulding options



Telescopic composite door frame
(80x37x2100)

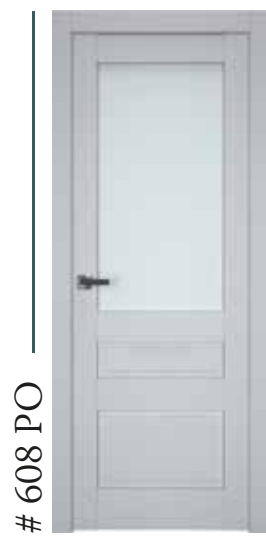


MDF door frame
(80x35x2100)



MDF door frame
(100x32x2100)

Collection range

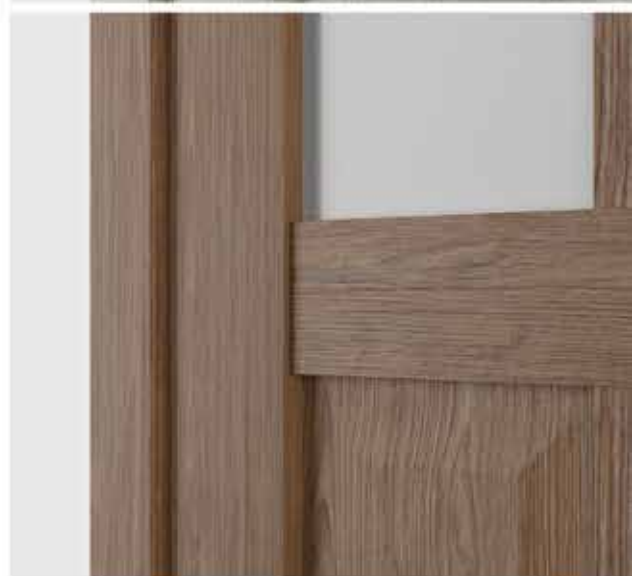




Crafted to be unique

SYNCHRO

609 PO Sahara and # 609 PG Sahara



«SYNCHRO» collection

This door collection features a modern surface finish by RENOLIT, offering perfect synchronization between the visual pattern and surface texture.

Some decors showcase a highly realistic, deep woodgrain structure, meticulously crafted to closely resemble the natural cut of real wood — capturing every detail with stunning accuracy.

This collection offers a modern alternative to classic natural veneer doors, combining timeless elegance with several key advantages:

- Enhanced durability and wear resistance;
- Low maintenance requirements;
- UV resistance (won't fade over time);
- Fast production times;
- Budget-friendly pricing, significantly more affordable than other natural veneer door models;
- No chipping or peeling when fitting hardware.

Collection range



Available decors



Arctic



Alaska



Sahara

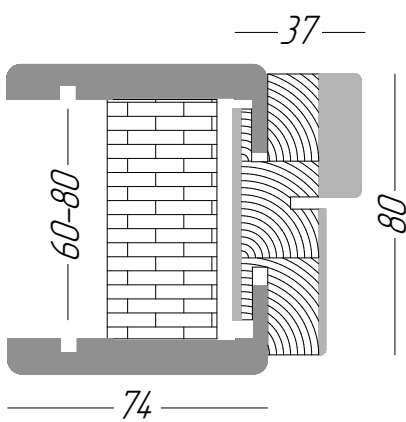


Tundra

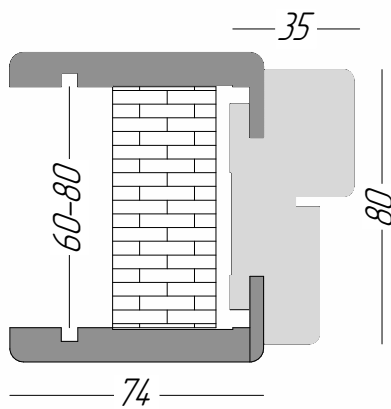


606 and # 602 Alaska

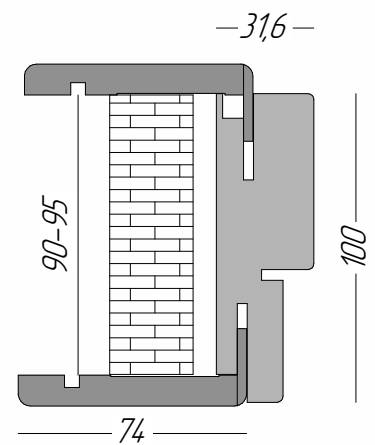
Moulding options



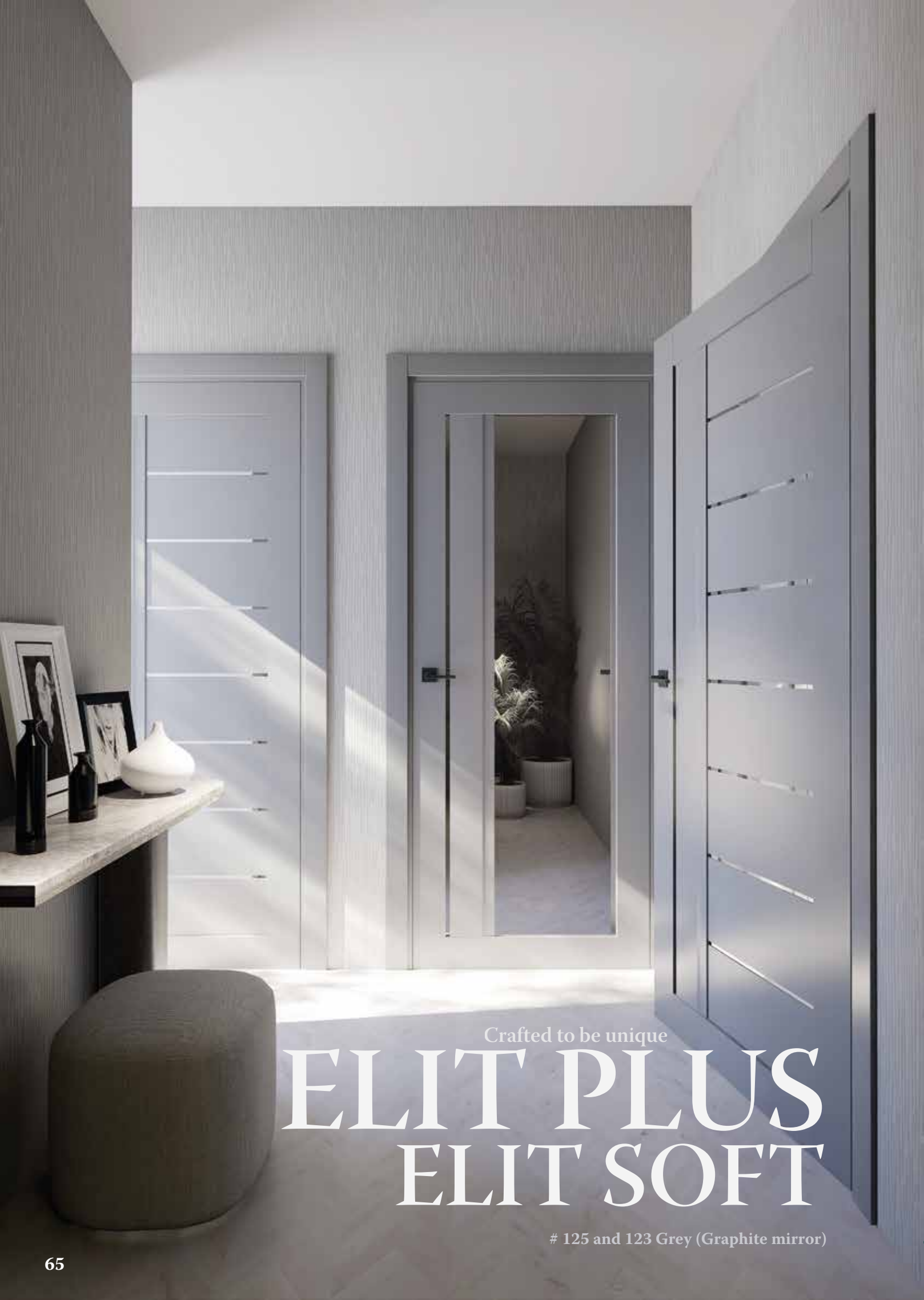
Telescopic composite door frame
(80x37x2100)



MDF door frame
(80x35x2100)



MDF door frame
(100x32x2100)



Crafted to be unique

ELIT PLUS ELIT SOFT

125 and 123 Grey (Graphite mirror)

«ELIT PLUS» and «ELIT SOFT» collections

This collection embodies a strict yet minimalist high-tech style. The beveled, faceted panels, crafted nearly to the thickness of the stiles, not only add aesthetic strength but also enhance the door's structural stability and durability. The use of triplex glass or mirror visually expands the space and allows these doors to serve as functional mirrors in wardrobes, hallways, and bedrooms.

Available decors



Types of glass



ELIT PLUS ELIT SOFT

Crafted to be unique

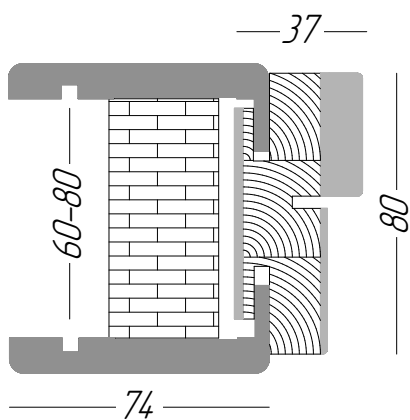
Collection range



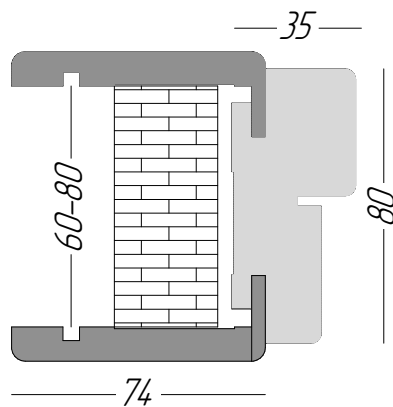


111 Aquamarine and # 111 White matt

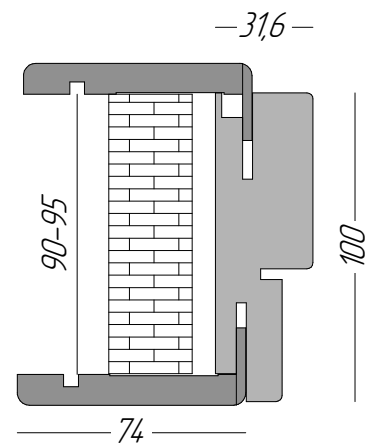
Moulding options



Telescopic composite door frame
(80x37x2100)



MDF door frame
(80x35x2100)



MDF door frame
(100x32x2100)



Crafted to be unique

UKRAINIAN DOORS

UD-14 White matt

«UKRAINIAN DOORS» collection

The collection features 20 models of interior doors spanning stylistic directions from Modern to Neo-Classical. Available in three types of artificial finishes — Eco-veneer, Polypropylene, and PVC — offering 14 diverse decor options, making it easy to find the perfect match for any interior. UKRAINIAN DOORS — the perfect balance of stylish design and affordable price.

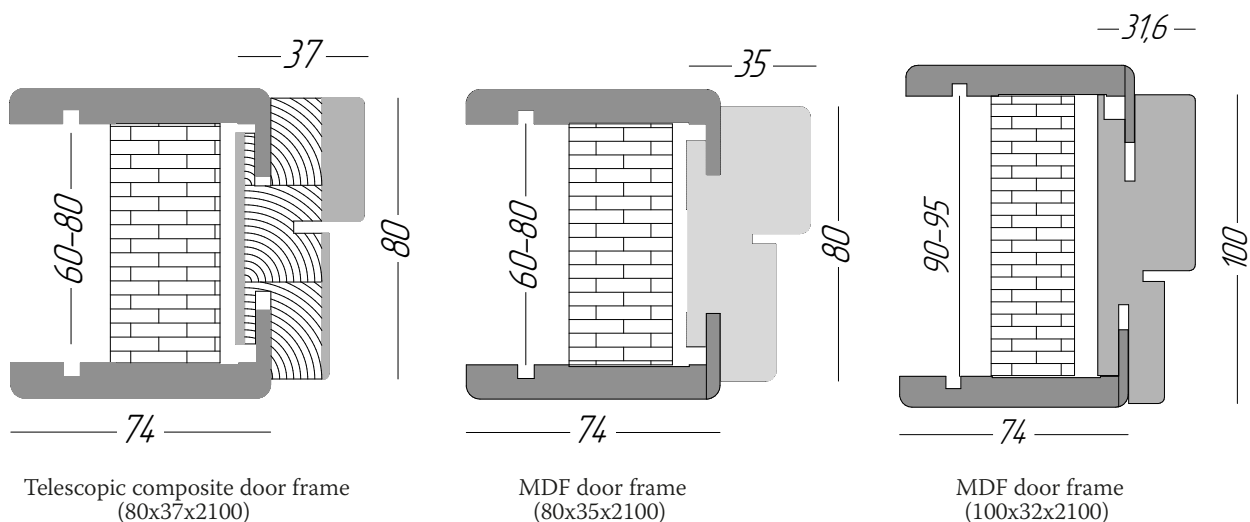
Available decors



Types of glass



Moulding options



UKRAINIAN DOORS

Crafted to be unique

Collection range

UD-01



UD-02



UD-03



UD-04





UD-01 and UD-02 Beech



UD-03 Dark Walnut

UKRAINIAN DOORS

Crafted to be unique



UD-05 Light Walnut



UD-07 Smoky Oak

Collection range

UD-05



UD-06



UD-07



UD-08



UKRAINIAN DOORS

Crafted to be unique

Collection range

UD-09



UD-10



UD-11



UD-12





UD-09 and UD-10 White matt



UD-11 White matt

UKRAINIAN DOORS

Crafted to be unique



UD-15 Dark Walnut



UD-16 Natural Walnut

Collection range

UD-13



UD-14



UD-15



UD-16



UKRAINIAN DOORS

Crafted to be unique

Collection range





UD-17 Grey tree



UD-19 White tree



Crafted to be unique

NANOFLEX

308 Caramel

«NANOFLEX» collection

This collection features a unique combination of decors produced in Japan (Plombir, Eskimo, Hazelnut) and Germany (White matt, Marshmallow, Pecan, Caramel), crafted from innovative materials based on polypropylene and cellulose. These decors exceptionally replicate the natural texture of wood.

The clean, straight lines of the NANOFLEX door design blend seamlessly into almost any interior, while the diverse range of wood-inspired finishes allows perfect coordination with any flooring.

The NANOFLEX series doors feature a frame-and-panel construction, also known as “stile-and-rail” design, ensuring strength and stability.

This construction offers several key advantages:

- Exceptional strength and durability;
- Resistance to temperature fluctuations;
- Resistance to changes in humidity levels;
- Relatively low production cost, allowing us to offer a high-quality product at an affordable price.



Collection range



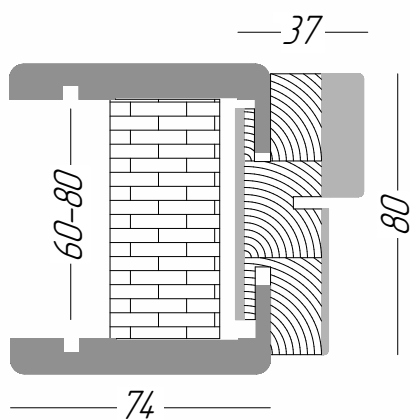
Available decors



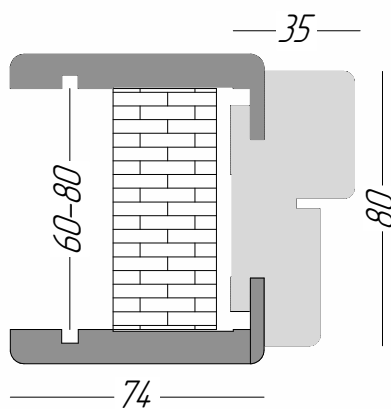


307 White matt

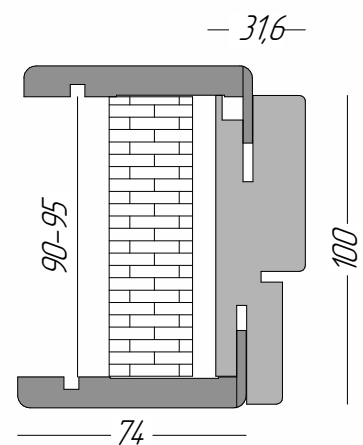
Collection mouldings



Telescopic composite frame
 80x37x2100



Telescopic frame MDF
 80x35x2100

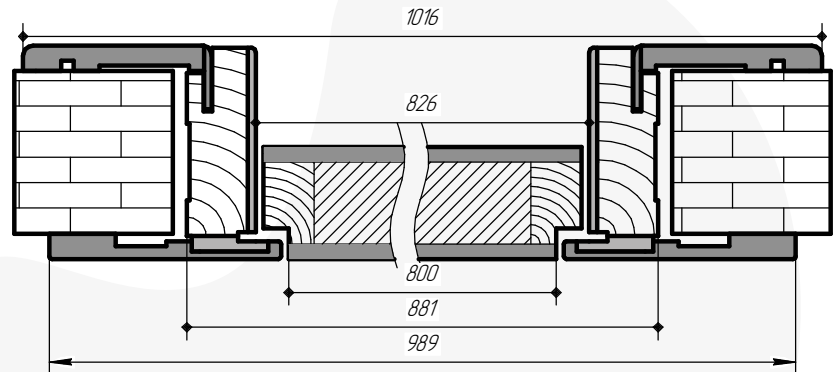
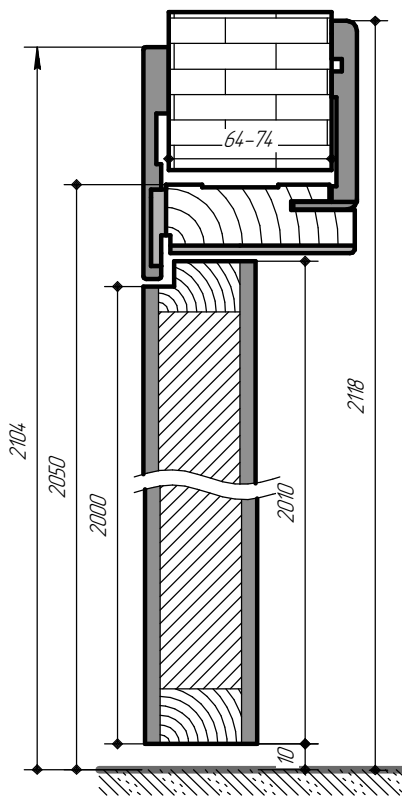


Telescopic frame MDF
 100x32x2100

Technical information section

«INSIDE 44» door frame

(collections: Frezzato, Cardium Porte and Solid)

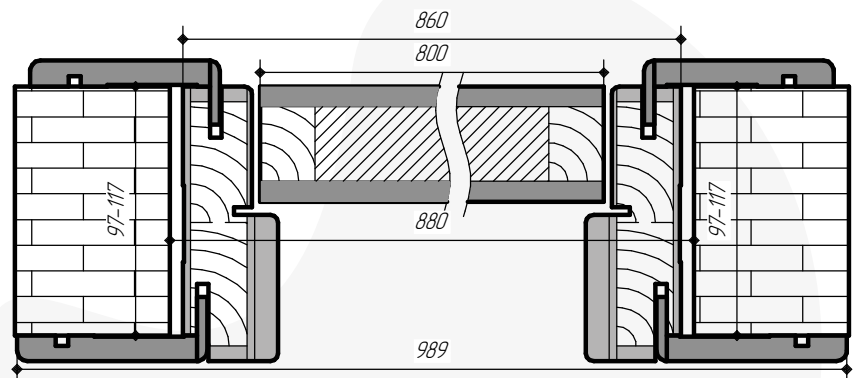
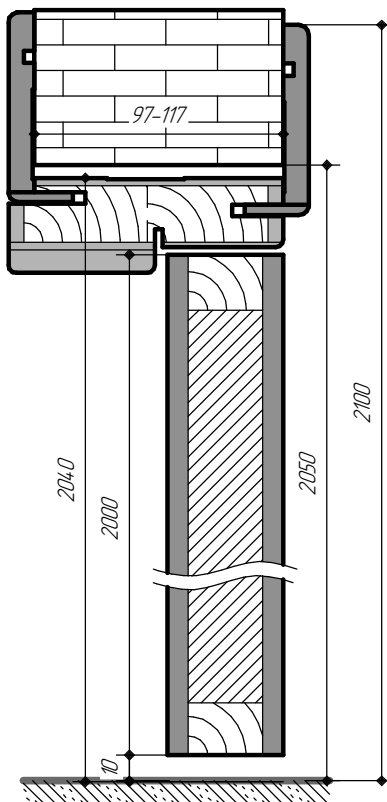


Door set parameters

Face size of the door leaf	2000x600	2000x650	2000x700	2000x750	2000x800	2000x850	2000x900
Dimensions over the frame	2050x681	2050x731	2050x781	2050x831	2050x881	2050x931	2050x981
Recommended opening size	2060x700	2060x750	2060x800	2060x850	2060x900	2060x950	2060x1000
Dimensions over casing	2104x789	2104x839	2104x889	2104x939	2104x989	2104x1039	2104x1089
Dimensions over rear casing	2118x816	2118x866	2118x916	2118x966	2118x1016	2118x1066	2118x1116

«BRANDU» and «SOLID» telescopic door frames

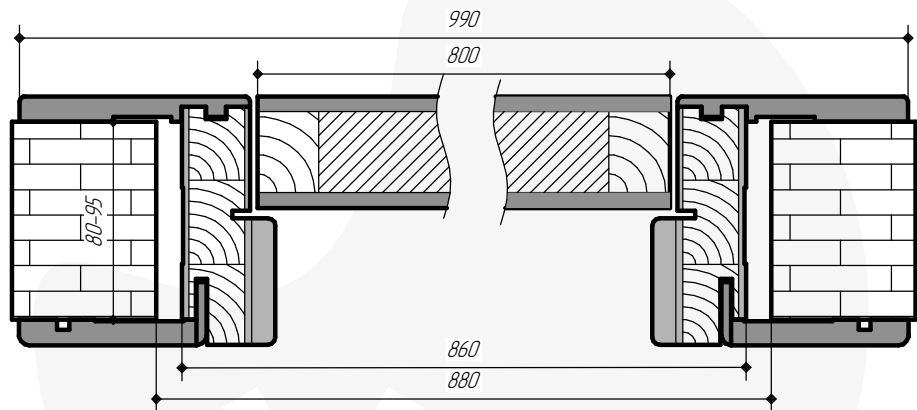
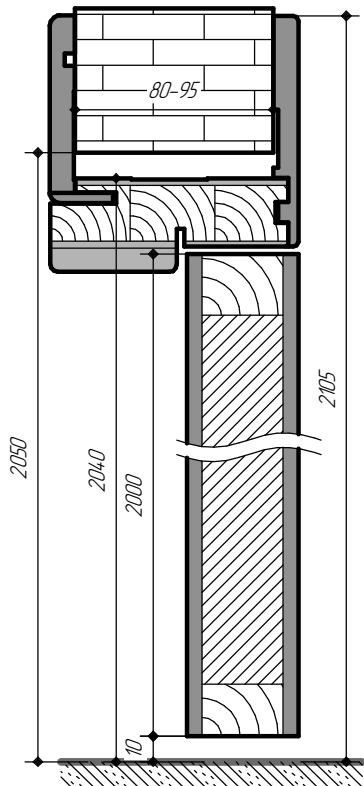
(collections: Frezzato, Cardium Porte and Solid)



Door set parameters

Face size of the door leaf	2000x600	2000x650	2000x700	2000x750	2000x800	2000x850	2000x900
Dimensions over the frame	2040x660	2040x710	2040x760	2040x810	2040x860	2040x910	2040x960
Recommended opening size	2050x680	2050x730	2050x780	2050x830	2050x880	2050x930	2050x980
Dimensions over casing	2100x779	2100x829	2100x879	2100x929	2100x979	2100x1029	2100x1079
Dimensions over rear casing	2105x789	2105x839	2105x889	2105x939	2105x989	2105x1039	2105x1089

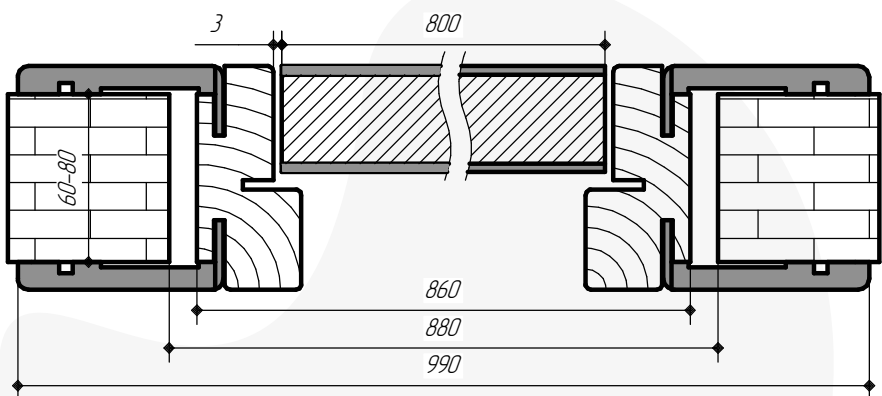
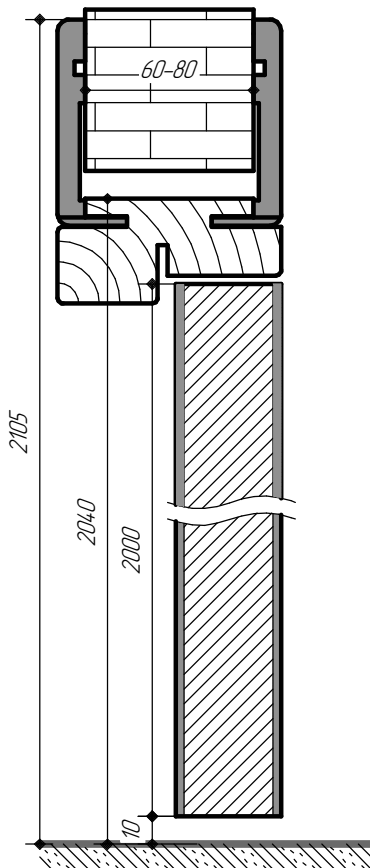
«URBAN» and «URBAN 44» door frames (collections: Frezzato, Cardium Porte, Solid and Urban)



Door set parameters

Face size of the door leaf	2000x600	2000x650	2000x700	2000x750	2000x800	2000x850	2000x900
Dimensions over the frame	2040x660	2040x710	2040x760	2040x810	2040x860	2040x910	2040x960
Recommended opening size	2050x680	2050x730	2050x780	2050x830	2050x880	2050x930	2050x980
Dimensions over casing	2105x790	2105x840	2105x890	2105x940	2105x990	2105x1040	2105x1090

Flat telescopic wooden door frame (80x37x2100 mm) (collections: Caro, Classic, Urban, Modern)

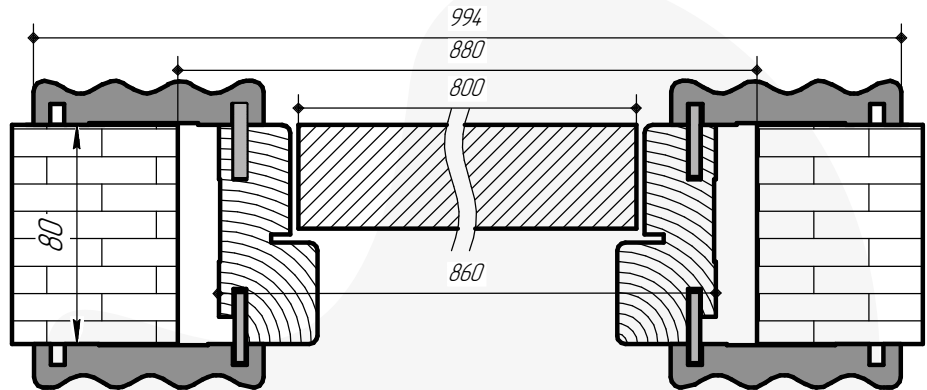
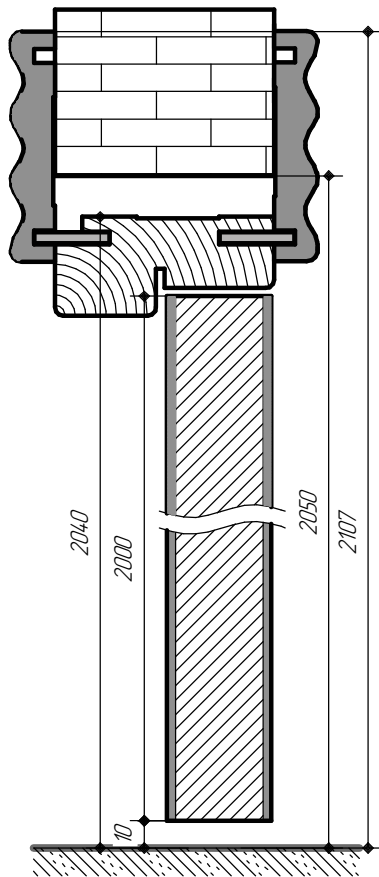


Door set parameters

Face size of the door leaf	2000x600	2000x650	2000x700	2000x750	2000x800	2000x850	2000x900
Dimensions over the frame	2040x660	2040x710	2040x760	2040x810	2040x860	2040x910	2040x960
Recommended opening size	2050x680	2050x730	2050x780	2050x830	2050x880	2050x930	2050x980
Dimensions over casing	2105x790	2105x840	2105x890	2105x940	2105x990	2105x1040	2105x1090

Technical information section

Flat telescopic wooden door frame (80x37x2100 mm) with «Cannelure» casing and «Elite» capital element (collections: Caro and Classic)

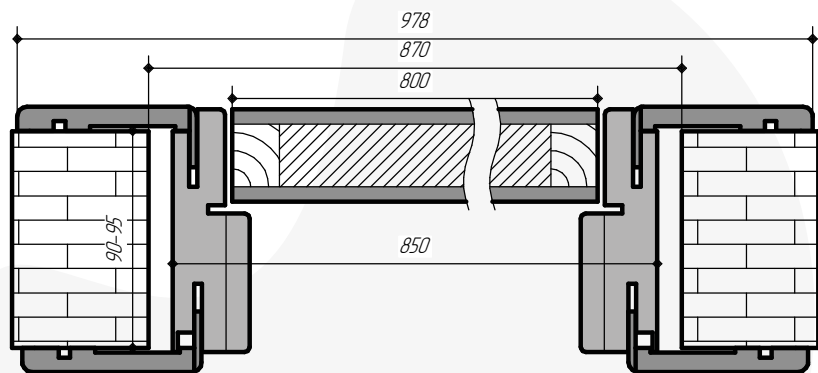
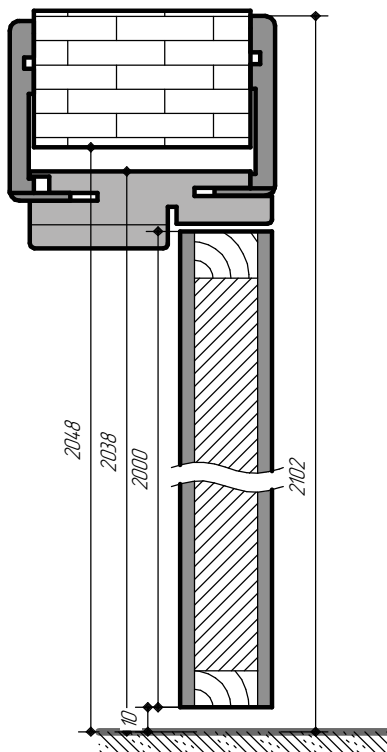


Door set parameters

Face size of the door leaf	2000x600	2000x650	2000x700	2000x750	2000x800	2000x850	2000x900
Dimensions over the frame	2040x660	2040x710	2040x760	2040x810	2040x860	2040x910	2040x960
Recommended opening size	2050x680	2050x730	2050x780	2050x830	2050x880	2050x930	2050x980
Dimensions over casing	2107x794	2107x844	2107x894	2107x944	2107x994	2107x1044	2107x1094

Flat MDF door frame (100x32x2100 mm)

(collections: Neo-Classis, Neo-Soft, Elit Plus, Elit-Soft, Synchro, Nanoflex, Ukrainian Doors and Lite)

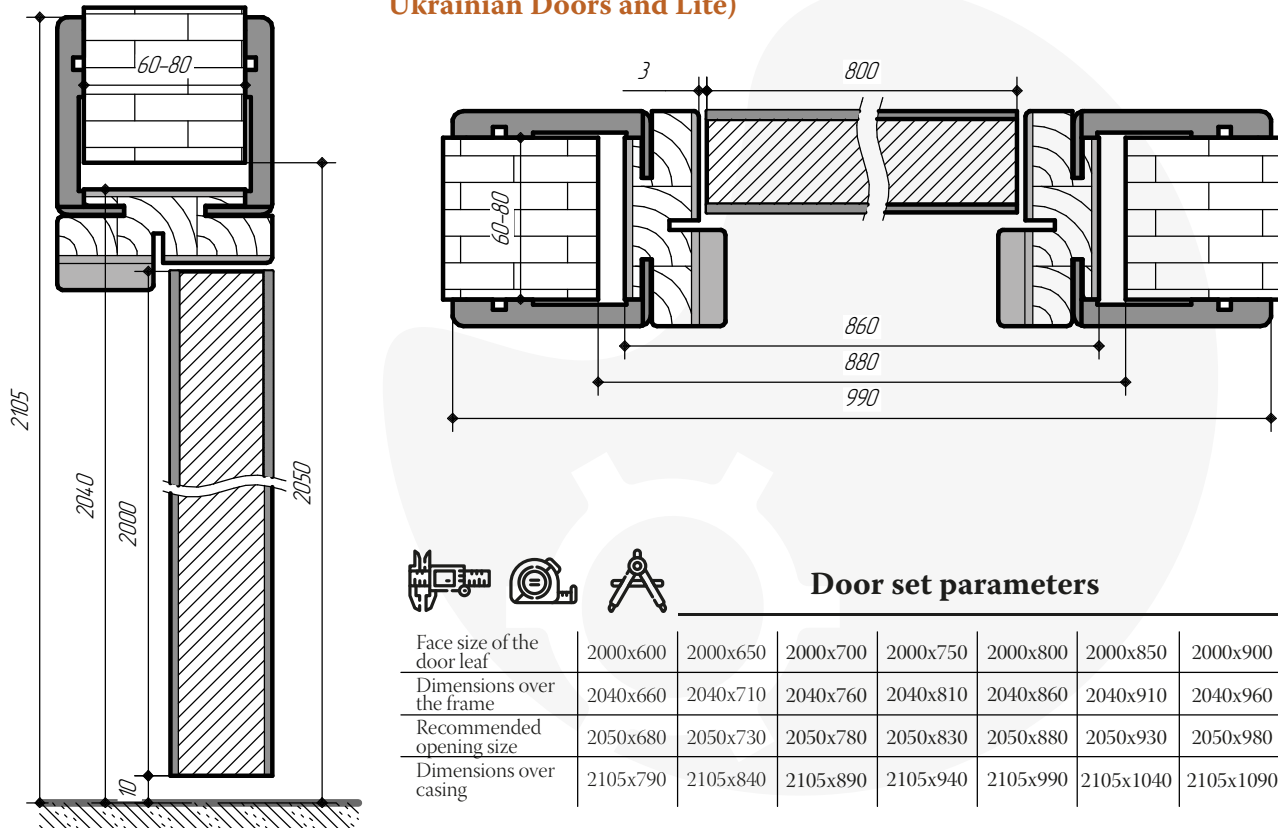


Door set parameters

Face size of the door leaf	2000x600	2000x650	2000x700	2000x750	2000x800	2000x850	2000x900
Dimensions over the frame	2038x650	2038x700	2038x750	2038x800	2038x850	2038x900	2038x950
Recommended opening size	2048x670	2048x720	2048x770	2048x820	2048x870	2048x920	2048x970
Dimensions over casing	2102x778	2102x828	2102x878	2102x928	2102x978	2102x1028	2102x1078

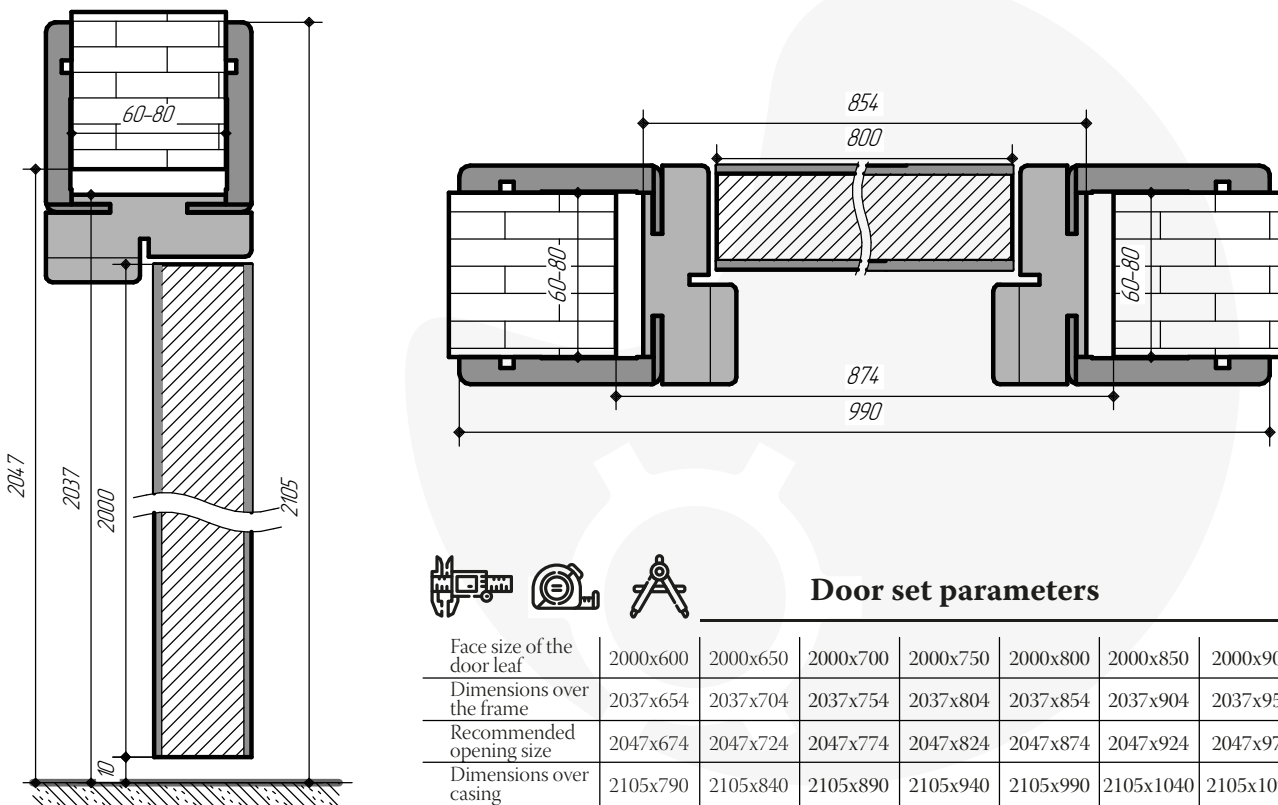
Flat telescopic composite door frame (80x37x2100 mm)

(collections: Neo-Classis, Neo-Soft, Elit Plus, Elit-Soft, Synchro, Nanoflex, Ukrainian Doors and Lite)



Flat MDF door frame (80x35x2100 mm)

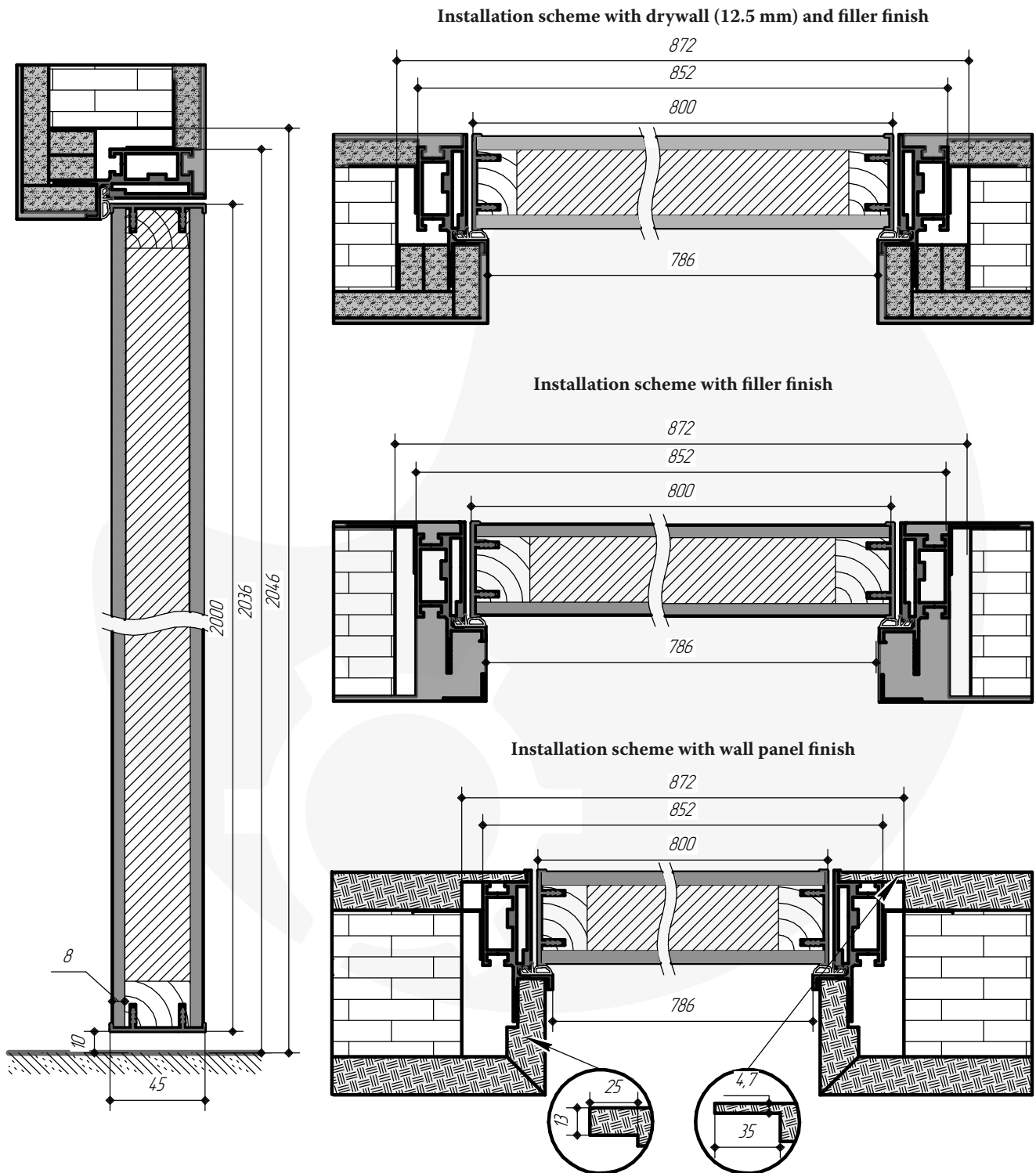
(collections: Neo-Classis, Neo-Soft, Elit Plus, Elit-Soft, Synchro, Nanoflex, Ukrainian Doors and Lite)



Technical information section

INVISIBLE OUTSIDE door frame (hidden frame external opening)

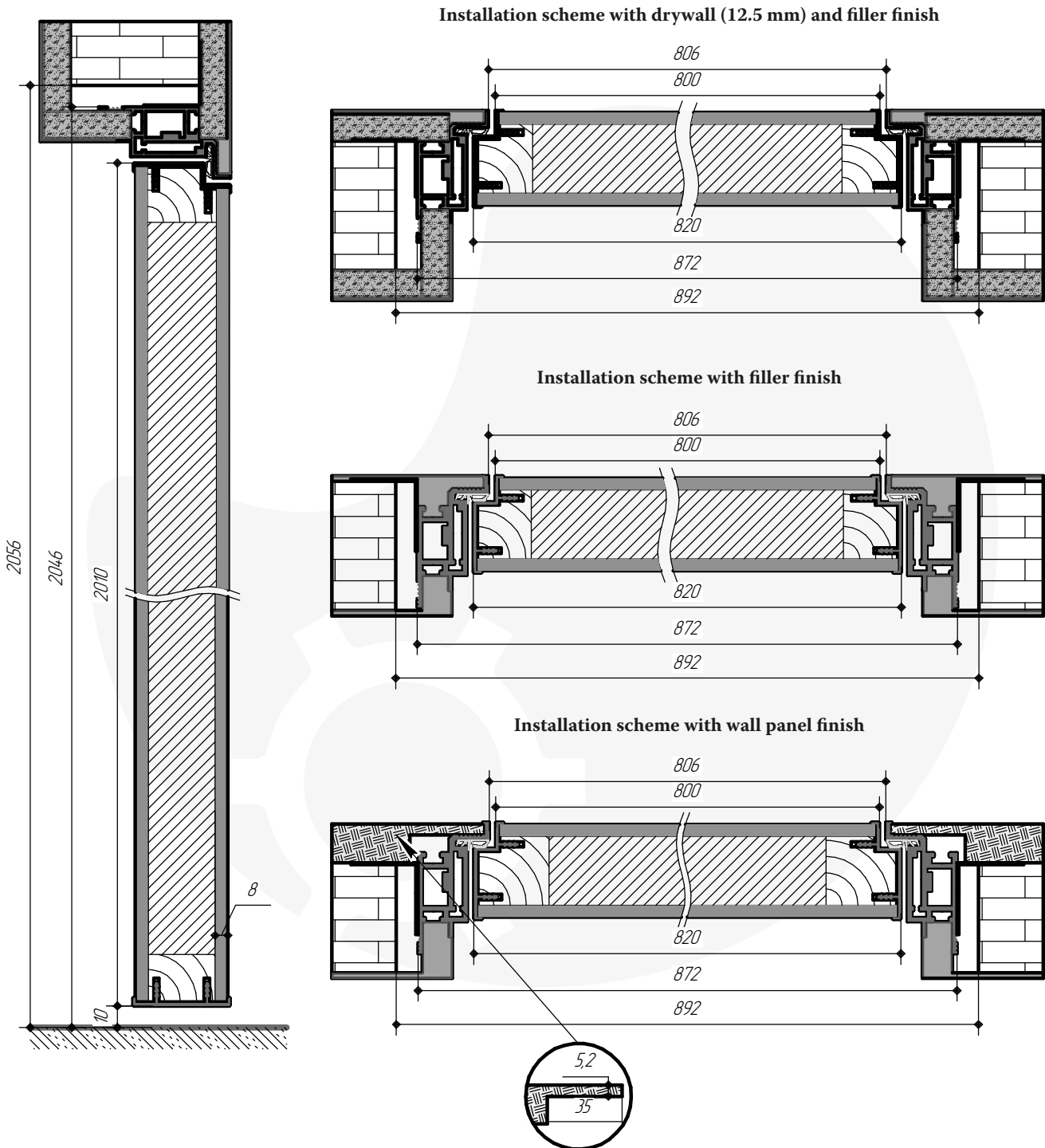
(collections: INVISIBLE, SOLID and FREZZATO)



Door set parameters

Face size of the door leaf	2000x600	2000x650	2000x700	2000x750	2000x800	2000x850	2000x900
Dimensions over the frame	2036x652	2036x702	2036x752	2036x802	2036x852	2036x902	2036x952
Recommended opening size	2045x670	2045x720	2045x770	2045x820	2045x870	2045x920	2045x970

INVISIBLE INSIDE door frame (hidden frame internal opening) (collections: INVISIBLE, SOLID and FREZZATO)



Door set parameters

Face size of the door leaf	2000x600	2000x650	2000x700	2000x750	2000x800	2000x850	2000x900
Dimensions over the frame	2046x672	2046x722	2046x772	2046x822	2046x872	2046x922	2046x972
Recommended opening size	2055x690	2055x740	2055x790	2055x840	2055x890	2055x940	2055x990

